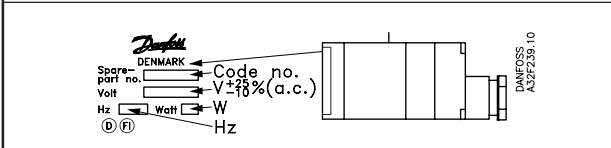
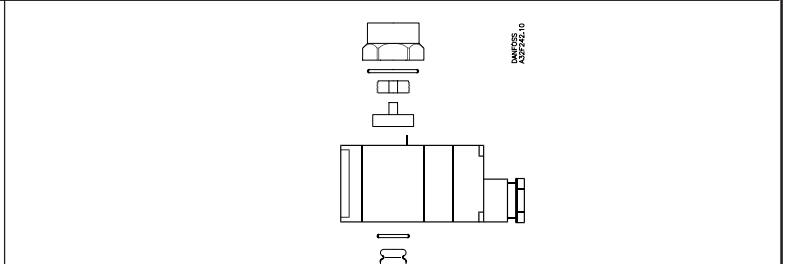
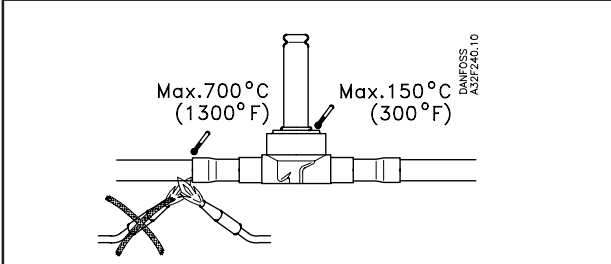
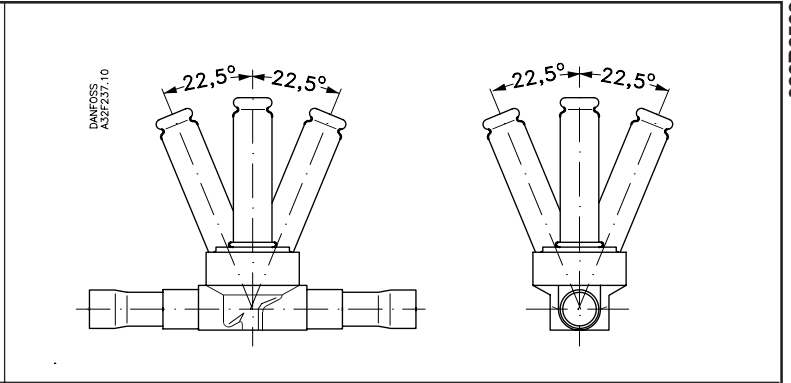
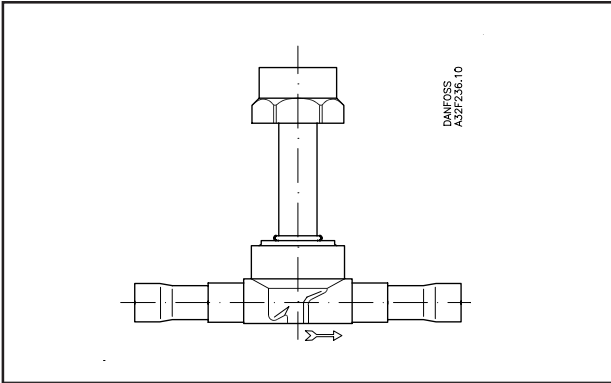


EVRP, Normally Closed (NC)

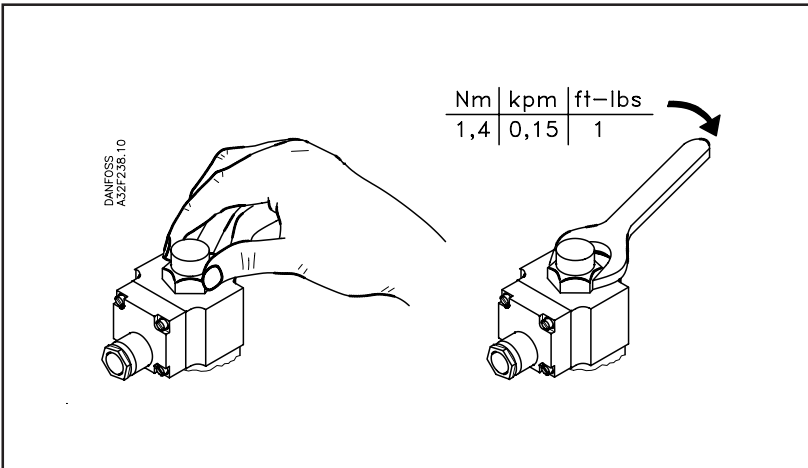
032R9503

032R9503



© Danfoss A/S

RI.3K.A1.02 02-1999



Opening differential pressure Δp ,

MOPD (vapour): 21 bar (300 psi)

MOPD (liquid): 10 bar (145 psi)

Max. working pressure: 28 bar (400 psig)

Max. temperature of medium: 120 °C (250 °F)

Ambient temperature: -60 → 80 °C (-75 → 175 °F)

